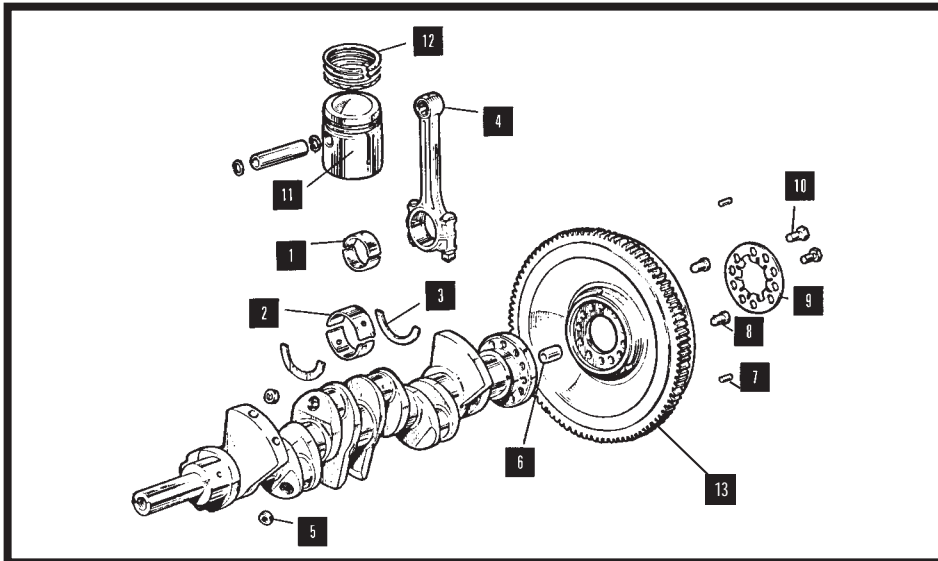


# CRANKSHAFT, BEARINGS & PISTONS



## BIG END BEARINGS Item 1

| MODEL                   | PART No | QTY PER VEHICLE |
|-------------------------|---------|-----------------|
| ALL 6CYL EXCEPT XJS 3.6 | C25400  | 1 SET           |
| ALL V12*                | JS571   | 1 SET           |
| XJS 3.6                 | RTC2854 | 1 SET           |

Available Std up to + .040  
\* Standard size only

## MAIN BEARINGS Item 2

| MODEL                     | PART No  | QTY PER VEHICLE |
|---------------------------|----------|-----------------|
| XK MODELS (3.4)           | C2315    | 1 SET           |
| 3.8 'E' TYPE & 3.8 XK 150 | C16293   | 1 SET           |
| ALL 4.2 E TYPE            | 10766    | 1 SET           |
| ALL V12 *                 | RTC484   | 1 SET           |
| XJ6 2.8                   | RTC1723  | 1 SET           |
| XJ6 3.4                   | RTC1722  | 1 SET           |
| XJ6 4.2                   | 10766    | 1 SET           |
| XJS 3.6 EARLY             | RTC 2853 | 1 SET           |
| XJS 3.6 LATE              | JLM764   | 1 SET           |

Available Std up to + .040  
\* Standard size only

## THRUST WASHER Item 3

| MODEL                          | PART No                       | QTY PER VEHICLE |
|--------------------------------|-------------------------------|-----------------|
| ALL 6 CYL MODELS               | C34744 Std<br>C34744/1 O/Size | 2<br>2          |
| ALL V12 MODELS EARLY           | C31806 Std<br>C31806/1 O/Size | 2<br>2          |
| ALL V12 MODELS EARLY & XJS 3.6 | C34697 Std<br>C34697/1 O/Size | 2<br>2          |

## LITTLE END BEARINGS Item 4

| MODEL            | PART No | QTY PER VEHICLE |
|------------------|---------|-----------------|
| ALL 6 CYL MODELS | C17164  | 6               |
| ALL V12          | C29308  | 12              |
| XJS 3.6          | EAC2732 | 6               |

## CRANK PLUG Item 5

| MODEL                  | PART No | QTY PER VEHICLE |
|------------------------|---------|-----------------|
| ALL XK & 3.8 'E' TYPE  | C4283   | 6               |
| ALL OTHER 6 CYL MODELS | C23761  | 6               |
| ALL V12                | C23761  | 12              |

## SPIGOT BUSH Item 6

| MODEL                       | PART No  | QTY PER VEHICLE |
|-----------------------------|----------|-----------------|
| ALL MANUAL MODELS UPTO 1980 | C2226    | 1               |
| XJS 3.6 & XJ6 S3            | UKC8154J | 1               |

## CLUTCH COVER DOWEL Item 7

| MODEL                   | PART No | QTY PER VEHICLE |
|-------------------------|---------|-----------------|
| ALL MANUAL MODELS EARLY | C1782   | 2               |
| ALL MANUAL MODELS LATE  | C8631   | 3               |

## FLYWHEEL DOWEL Item 8

| MODEL             | PART No | QTY PER VEHICLE |
|-------------------|---------|-----------------|
| ALL MANUAL MODELS | C2313   | 2               |
| ALL AUTO MODELS   | C6862   | 2               |

## FLYWHEEL TAB PLATE Item 9

| MODEL             | PART No | QTY PER VEHICLE |
|-------------------|---------|-----------------|
| ALL MANUAL MODELS | C4810   | 1               |
| ALL AUTO MODELS   | C6861   | 1               |

## FLYWHEEL BOLT Item 10

| MODEL                | PART No | QTY PER VEHICLE |
|----------------------|---------|-----------------|
| MOST MANUAL MODELS   | C4855   | 10              |
| ALL AUTO MODELS      | C6839   | 10              |
| XJS 3.6 MANUAL       | EAC2547 | 8               |
| XJS 3.6 (AUTO) EARLY | EAC4620 | 8               |
| XJS 3.6 (AUTO) LATE  | EBC1939 | 8               |

## PISTON ASSEMBLIES Item 11

| MODEL             | PART No                                   | QTY PER VEHICLE |
|-------------------|---|-----------------|
| 3.4 XK MODELS     | P4  | 1 SET           |
| ALL 3.8 MODELS    | P2  | 1 SET           |
| 4.2 'E' TYPE      | P3  | 1 SET           |
| ALL V12 PRE HE*   | P1 STD                                    | 1 SET           |
| XJ6 2.8           | C33093                                    | 1 SET           |
| XJ6 3.4           | C42505                                    | 1 SET           |
| XJ6 4.2 S1/2      | C33089                                    | 1 SET           |
| XJ6 4.2 S3        | EAC6865 (High Comp)<br>EAC6866 (Std Comp) | 1 SET<br>1 SET  |
| XJS HE UPTO 1989* | EAC6252 (High Comp)<br>EAC6253 (Std Comp) | 1 SET<br>1 SET  |
| XJS 3.6 EARLY     | EAC7168                                   | 1 SET           |
| XJS 3.6 LATE      | EBC1288                                   | 1 SET           |

Available Std up to + 0.060  
\* Standard size only. State compression req'd.

## PISTON RING SETS Item 12

| MODEL             | PART No | QTY PER VEHICLE |
|-------------------|---------|-----------------|
| 3.4 XK MODELS     | R39420  | 1 SET           |
| ALL 3.8 MODELS    | R16586  | 1 SET           |
| 4.2 'E' TYPE      | R39520  | 1 SET           |
| ALL V12 PRE HE*   | R26136  | 1 SET           |
| XJ6 3.4           | RTC2444 | 1 SET           |
| XJ6 4.2 S1/2      | RTC2443 | 1 SET           |
| XJ6 4.2 S3        | JLM324  | 1 SET           |
| XJS HE UPTO 1989* | JLM1789 | 1 SET           |
| XJS 3.6 EARLY     | RTC2879 | 1SET            |
| XJS 3.6 LATE      | JLM581  | 1 SET           |

Available Std up to + .060 \* Standard size only.

## FLYWHEEL (MANUAL MODELS) Item 13

| MODEL                     | PART No | QTY PER VEHICLE |
|---------------------------|---------|-----------------|
| XK MODELS                 | C4809   | 1               |
| 3.8 'E' TYPE              | C14921  | 1               |
| 4.2 'E' TYPE & XJ6 S1 4.2 | C18517  | 1               |
| V12 E-TYPE                | C37105  | 1               |
| XJ6 S1 2.8                | C23328  | 1               |
| XJ6 S2 3.4/4.2            | C45539  | 1               |
| XJ6 S3                    | EAC1689 | 1               |

Ring Gears also available.

## CRANKSHAFT TAB WASHER SET Not Illustrated

| MODEL             | PART No | QTY PER VEHICLE |
|-------------------|---------|-----------------|
| MOST 6 CYL MODELS | TS1     | 1               |